

Step 1

Drawings And Technical
 Information Included Of
 Referenced Herein Are To
 Be Treated As Confidential
 To Pro-Tec Equipment, Inc.
 Copyright © 2008



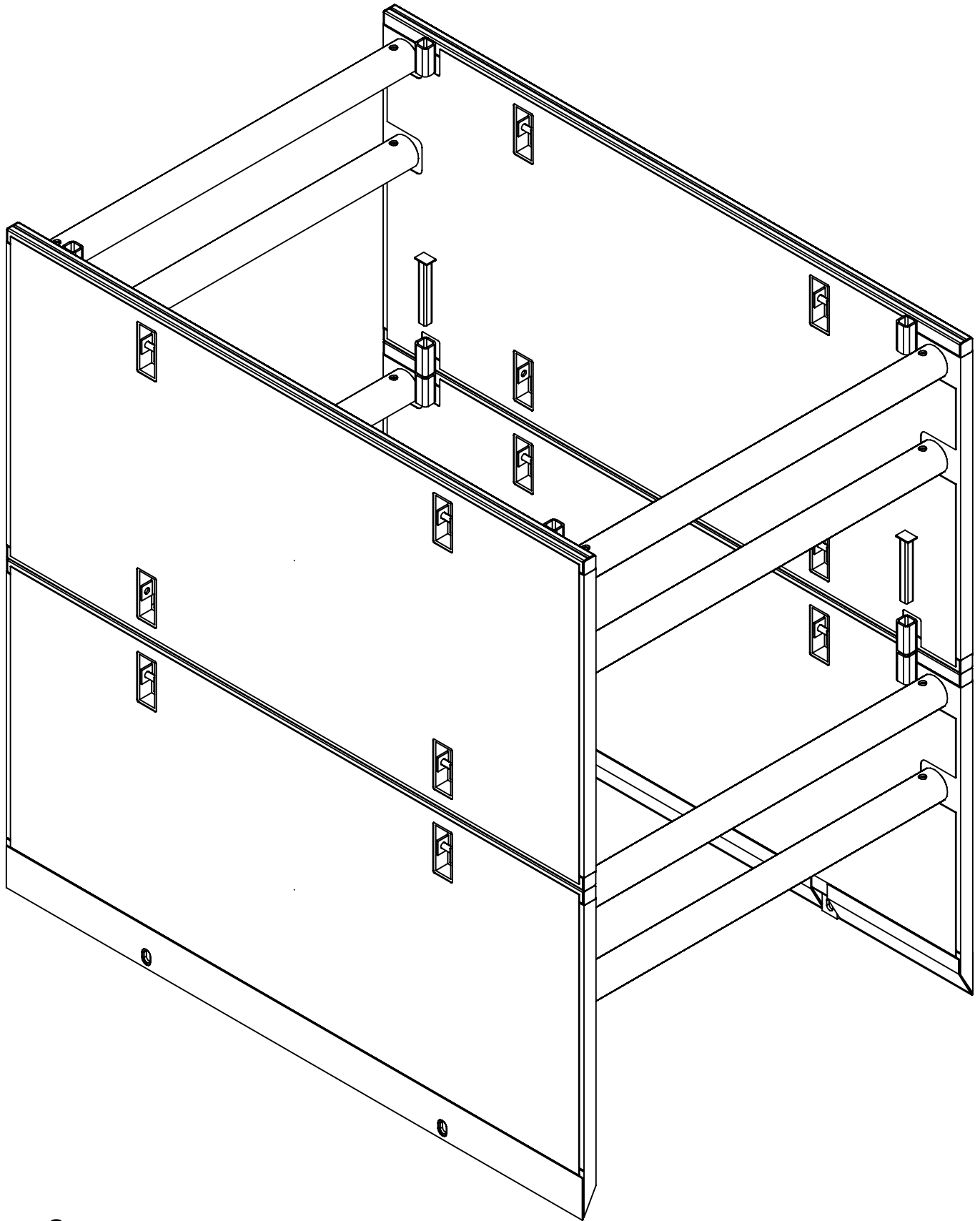
PRO-TEC Equipment Inc.
 P.O. Box 130 1298 Lipsey Dr.-Charlotte MI 48813 (517) 541-0303 1-800-292-1225

Customer: ~ Page 1 Of 3

Dwg. # Trench Shield Stacking Procedure

Date: 21-Sep-2010 By: C. Stevens

Trench Shield System
 Stacking Procedure



Step 2

Drawings And Technical
 Information Included Of
 Referenced Herein Are To
 Be Treated As Confidential
 To Pro-Tec Equipment, Inc.
 Copyright © 2008



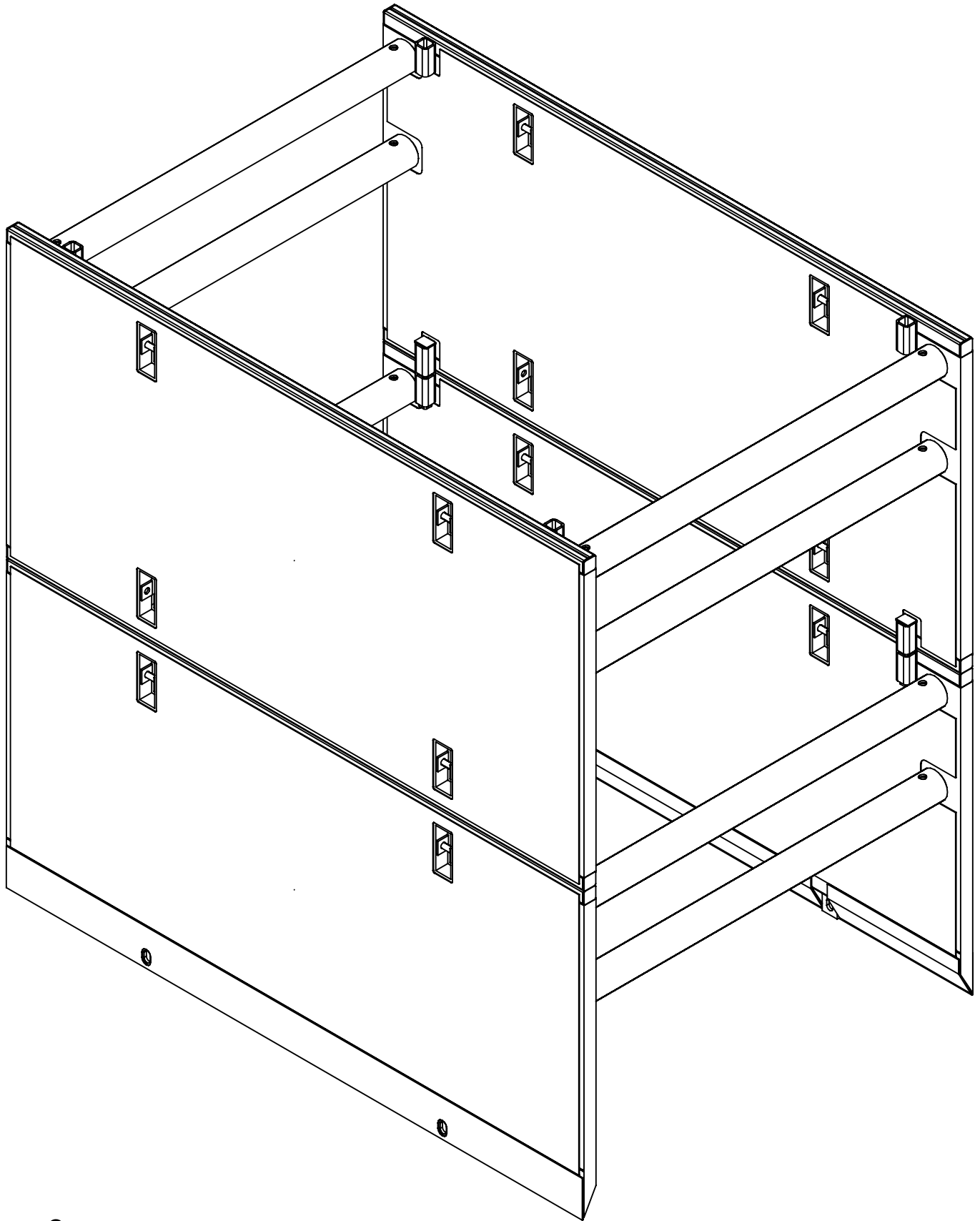
PRO-TEC Equipment Inc.
 P.O. Box 130 1298 Lipsey Dr.-Charlotte MI 48813 (517) 541-0303 1-800-292-1225

Customer: ~ Page 2 Of 3

Dwg. # Trench Shield Stacking Procedure

Date: 21-Sep-2010 By: C. Stevens

Trench Shield System
 Stacking Procedure



Step 3

Drawings And Technical
 Information Included Of
 Referenced Herein Are To
 Be Treated As Confidential
 To Pro-Tec Equipment, Inc.
 Copyright © 2008



PRO-TEC Equipment Inc.
 P.O. Box 130 1298 Lipsey Dr.-Charlotte MI 48813 (517) 541-0303 1-800-292-1225

Customer: ~ Page 3 Of 3

Dwg. # Trench Shield Stacking Procedure

Date: 21-Sep-2010 By: C. Stevens

Trench Shield System
 Stacking Procedure