

Step 1:

Roll the front of the machine tracks on street plates or matting in soft soil conditions.

Step 2:

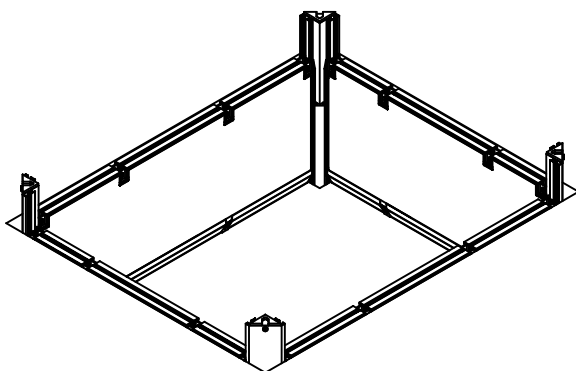
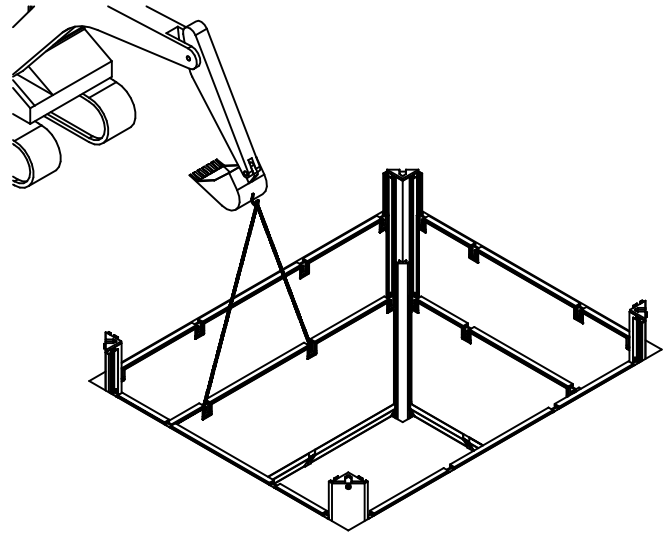
Hook inner lift eyes of panel with supplied pulling cables.

Step 3:

Back fill no more than 2' or follow backfill requirements of project details.
DO NOT compact soil against slide rail panels.

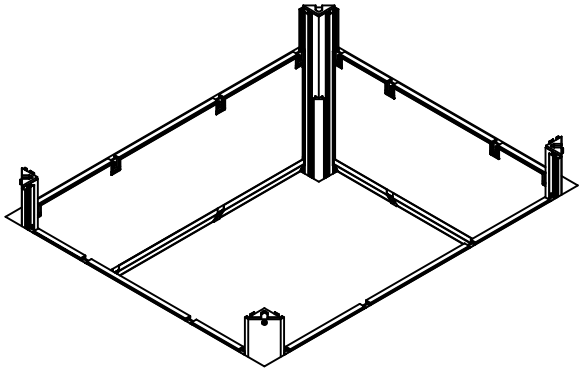
Step 4:

Shock load cables by pulling on panel until knife edge of inner panel is exposed.



Step 5:

Repeat **Step 3** until panel is pulled to upper or middle panel, then remove fully.

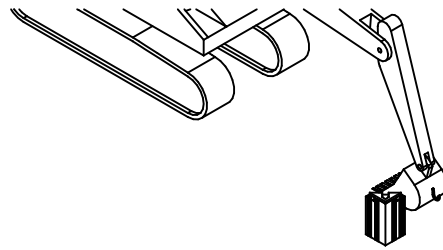


Step 6:

All inner panels should be removed before upper panels.

Step 7:

Backfill and remove all upper panels.

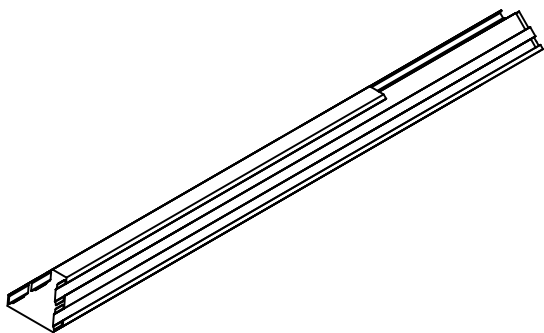


Step 8:

Push/ pull top of posts with machine bucket.
DO NOT pull on channel.

Step 9:

Static pull posts from ground.



Step 10:

Remove all soil debris from tracks of post.
A small spade shovel or breaker bar is suggested.