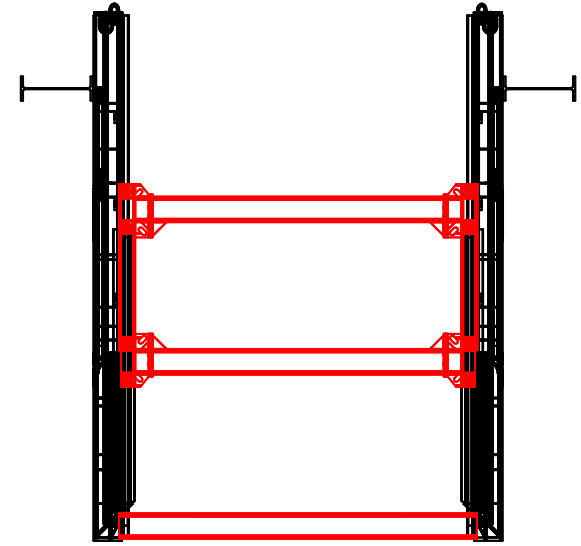
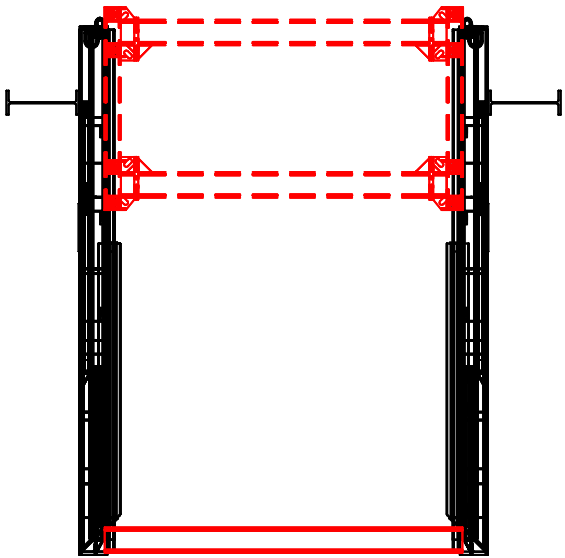


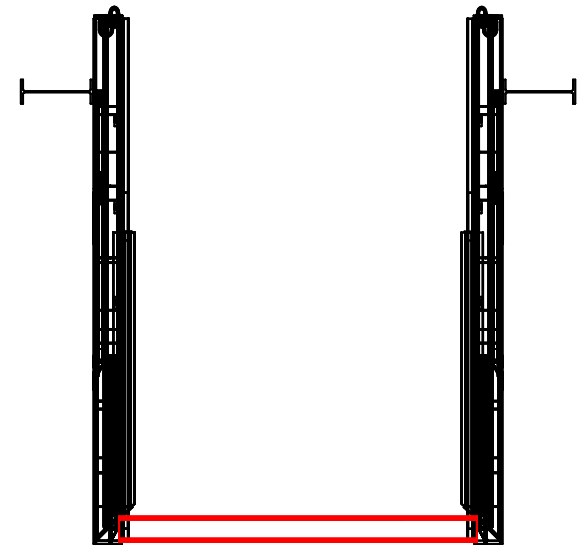
1. Place Roller Frame Mid Height For Removal



2. Place Sac Strut Against Spreader Posts




3. Remove Roller Frames Once Sac Struts Installed



4. Sac Struts To Be Left In Place

Subject To Engineering Approval.

All Information Included Or Referenced Herein Shall Be Treated As Confidential To Pro-Tec Equipment © 2012

	<b>PRO-TEC Equipment</b> 4837 W. Grand River Ave. Lansing, MI 48906 (517) 827-3250 1-800-292-1225	
	Customer: ~	Page 1 Of 1
	Dwg. # Q-SR-D-20Hx14Wx14-14L-V2 Posts-CS	Double Slide Rail Bore Pit
	Date: 16-Mar-2018	By: FM