

Step 1



PRO-TEC Equipment Inc.

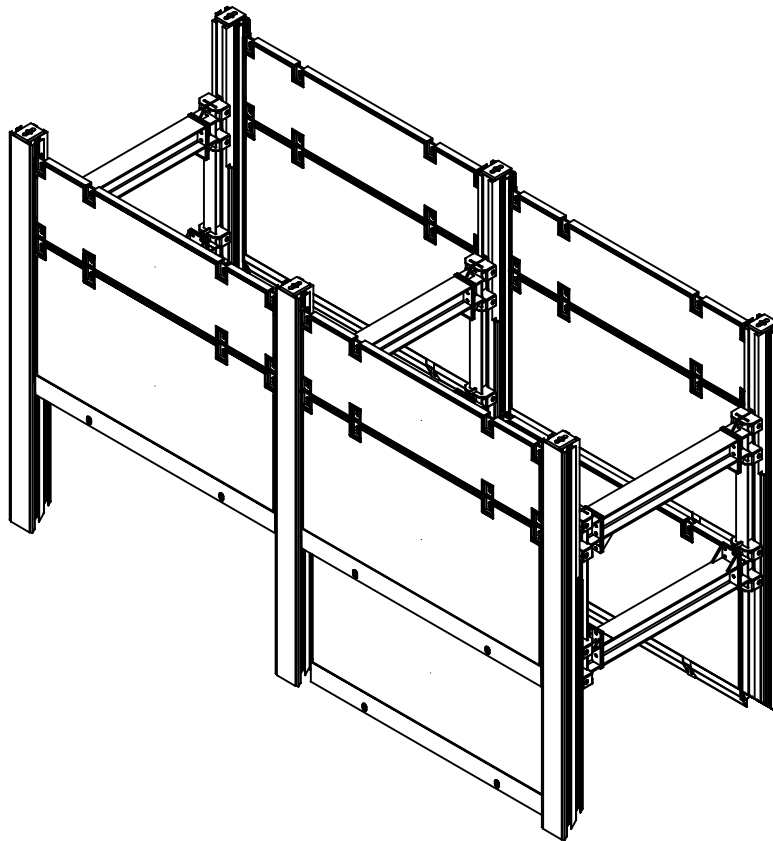
4837 W. Grand River Ave. Lansing, MI 48906 (517) 827-3250 1-800-292-1225

Customer: ~ Page 1 Of 7

Dwg. # Q-SR-D-2 Bay Linear Pit-Leap Frog

Date: 30-Jan-2018 By: FM

Double Slide Rail
2 Bay Linear Pit



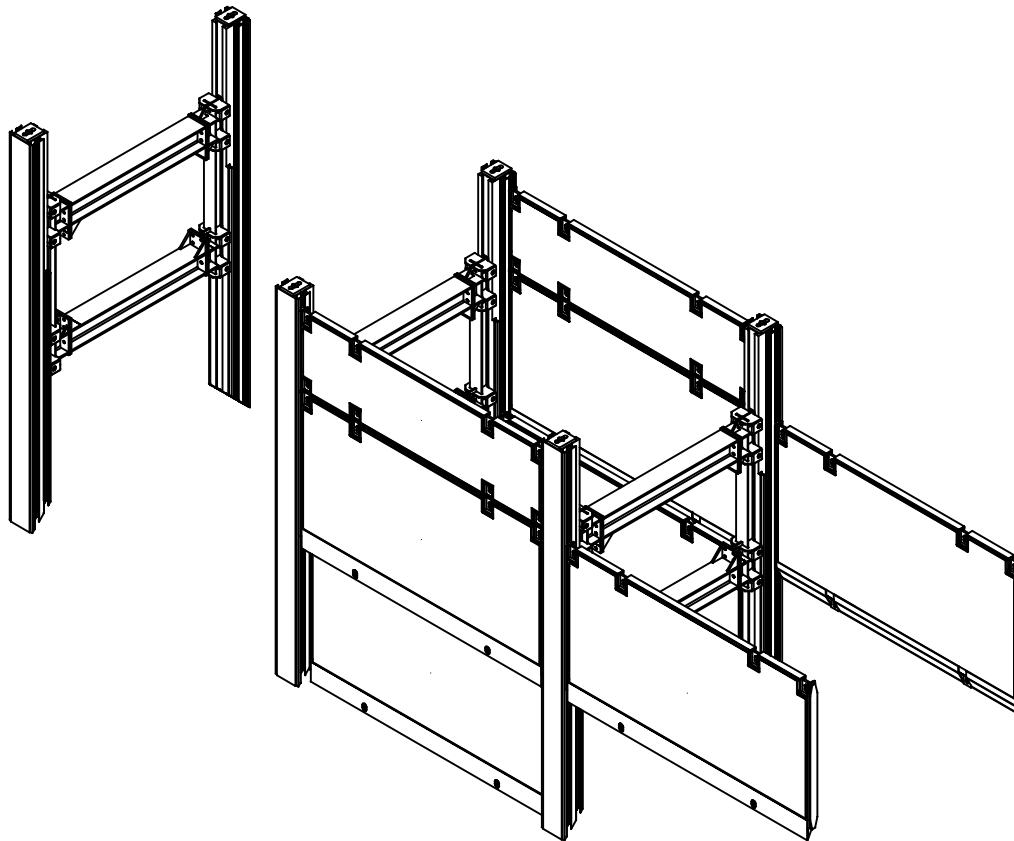
Step 2



PRO-TEC Equipment Inc.
 4837 W. Grand River Ave. Lansing, MI 48906 (517) 827-3250 1-800-292-1225

Customer: ~	Page 2 Of 7
Dwg. # Q-SR-D-2 Bay Linear Pit-Leap Frog	
Date: 30-Jan-2018	By: FM

Double Slide Rail
 2 Bay Linear Pit



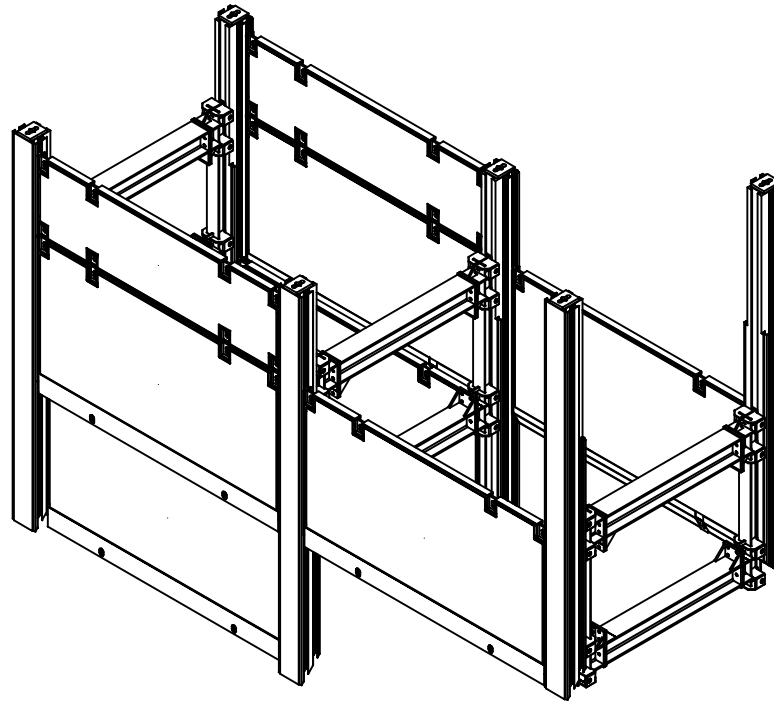
Step 3



PRO-TEC Equipment Inc.
 4837 W. Grand River Ave. Lansing, MI 48906 (517) 827-3250 1-800-292-1225

Customer: ~ Page 2 Of 7
 Dwg. # Q-SR-D-2 Bay Linear Pit-Leap Frog
 Date: 30-Jan-2018 By: FM

Double Slide Rail
 2 Bay Linear Pit



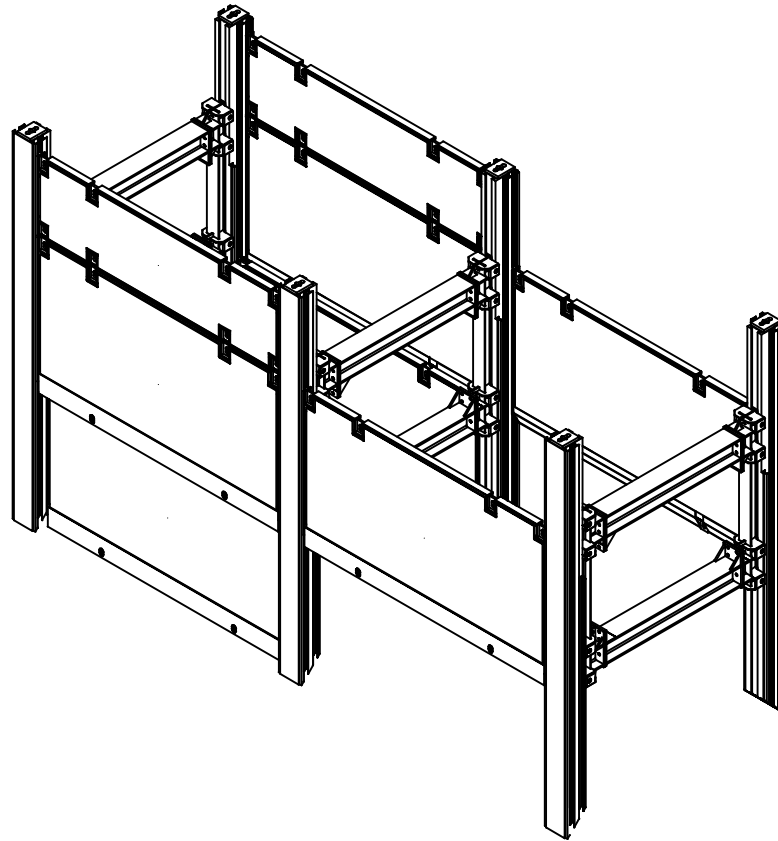
Step 4



PRO-TEC Equipment Inc.
 4837 W. Grand River Ave. Lansing, MI 48906 (517) 827-3250 1-800-292-1225

Customer: ~	Page 2 Of 7
Dwg. # Q-SR-D-2 Bay Linear Pit-Leap Frog	
Date: 30-Jan-2018	By: FM

Double Slide Rail
 2 Bay Linear Pit



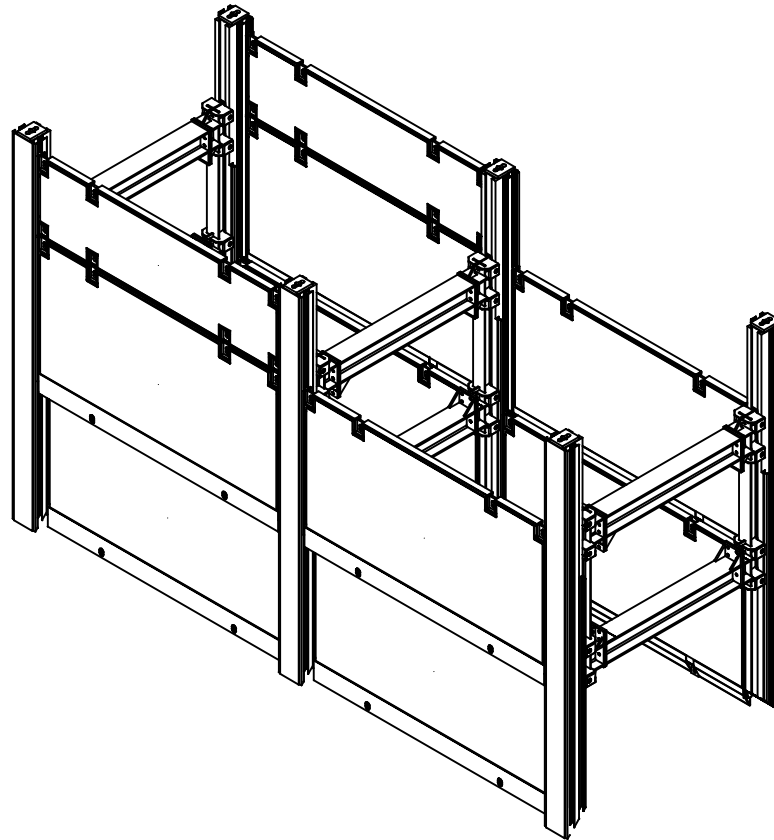
Step 5



PRO-TEC Equipment Inc.
 4837 W. Grand River Ave. Lansing, MI 48906 (517) 827-3250 1-800-292-1225

Customer: ~	Page 2 Of 7
Dwg. # Q-SR-D-2 Bay Linear Pit-Leap Frog	
Date: 30-Jan-2018	By: FM

Double Slide Rail
 2 Bay Linear Pit



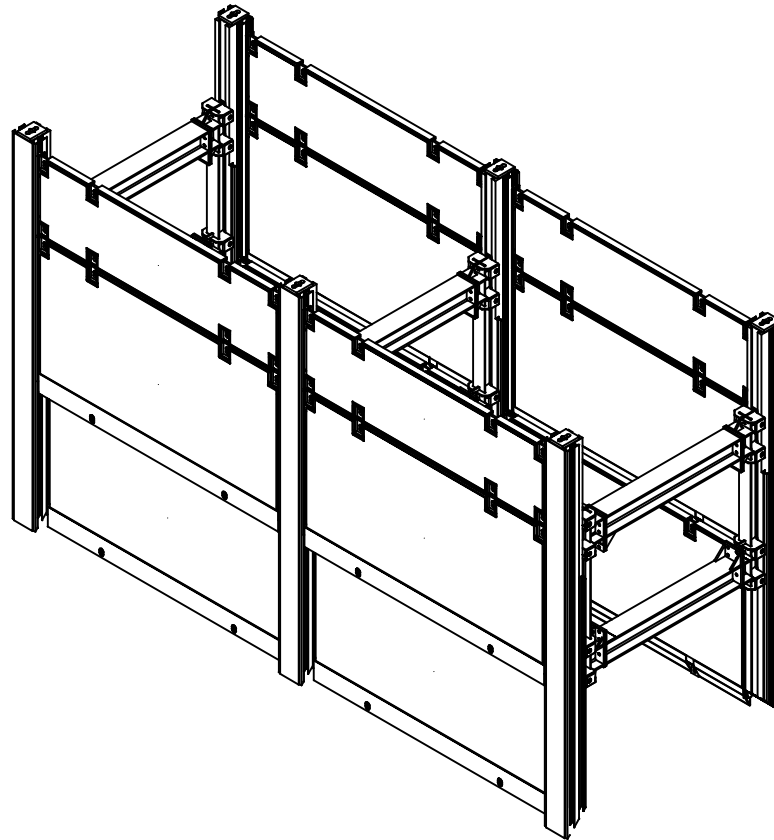
Step 6



PRO-TEC Equipment Inc.
 4837 W. Grand River Ave. Lansing, MI 48906 (517) 827-3250 1-800-292-1225

Customer: ~	Page 2 Of 7
Dwg. # Q-SR-D-2 Bay Linear Pit-Leap Frog	
Date: 30-Jan-2018	By: FM

Double Slide Rail
 2 Bay Linear Pit



Step 7



PRO-TEC Equipment Inc.
 4837 W. Grand River Ave. Lansing, MI 48906 (517) 827-3250 1-800-292-1225

Customer: ~ Page 2 Of 7
 Dwg. # Q-SR-D-2 Bay Linear Pit-Leap Frog
 Date: 30-Jan-2018 By: FM

Double Slide Rail
 2 Bay Linear Pit