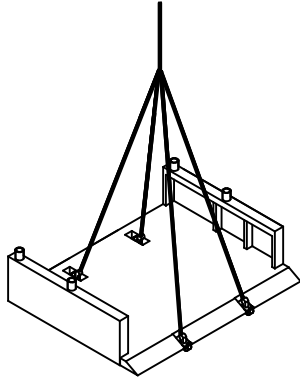
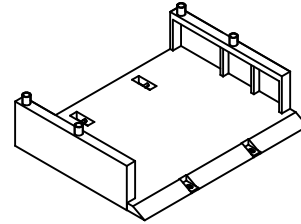


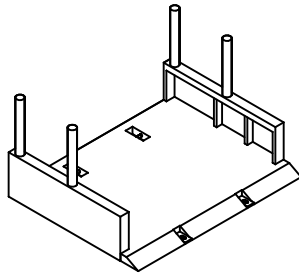
How to Assemble a Manhole Trench Shield



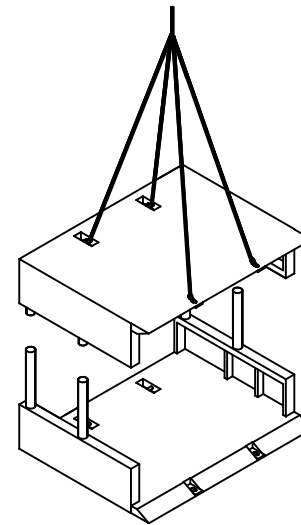
1. Remove from truck by lifting shield with 4 point lift lugs. Always use OSHA approved slings.



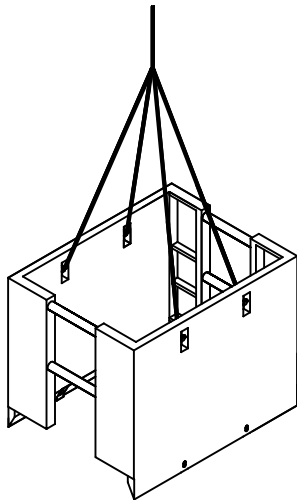
2. Place one sidewall flat on the ground with collars pointing up.



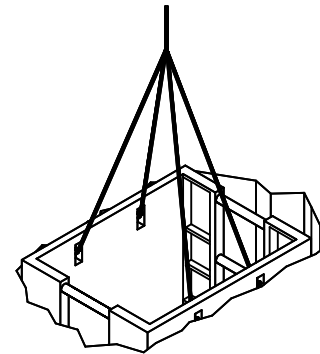
3. Set the spreader pipes over the collars and insert pins and keepers.



4. Set matching panel over bottom panel. Install spreader pipes over collars and insert pins and keepers.



5. Place sling in top 4 lift lugs. Stand shield and install into trench.



6. **WARNING:** Lift eyes are designed and intended for assembly and lifting only. Do not pull or lift by eyes when shield is stuck or has pressure against it. Loosen shield by pulling on spreader or digging along side before using lift eyes.

NOTE:

Refer to Certification shown on other side of this page and Manufacturer's Tabulated data for proper usage of Manhole Trench Shields.