
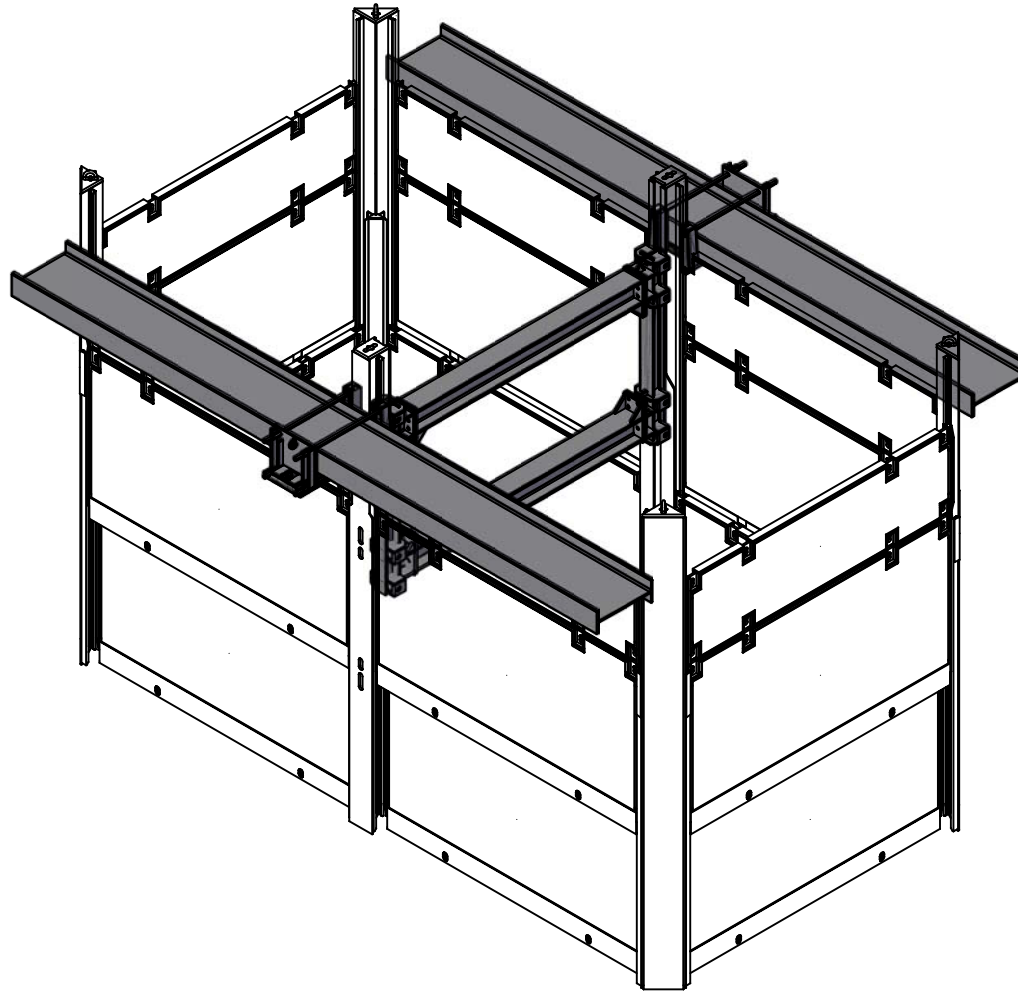


Bore Pit In Place and Ready For Clear Spanning.

Subject To Engineering Approval.

All Information Included Or Referenced Herein Shall Be Treated As Confidential To Pro-Tec Equipment © 2012


	<b>PRO-TEC Equipment</b> 4837 W. Grand River Ave. Lansing, MI 48906 (517) 827-3250 1-800-292-1225		
	Customer: ~	Page 1 Of 4	<i>Double Slide Rail Bore Pit</i>
	Dwg. # Q2018-138-Clear Span Install Process		
	Date: 01-June-2018	By: FM	

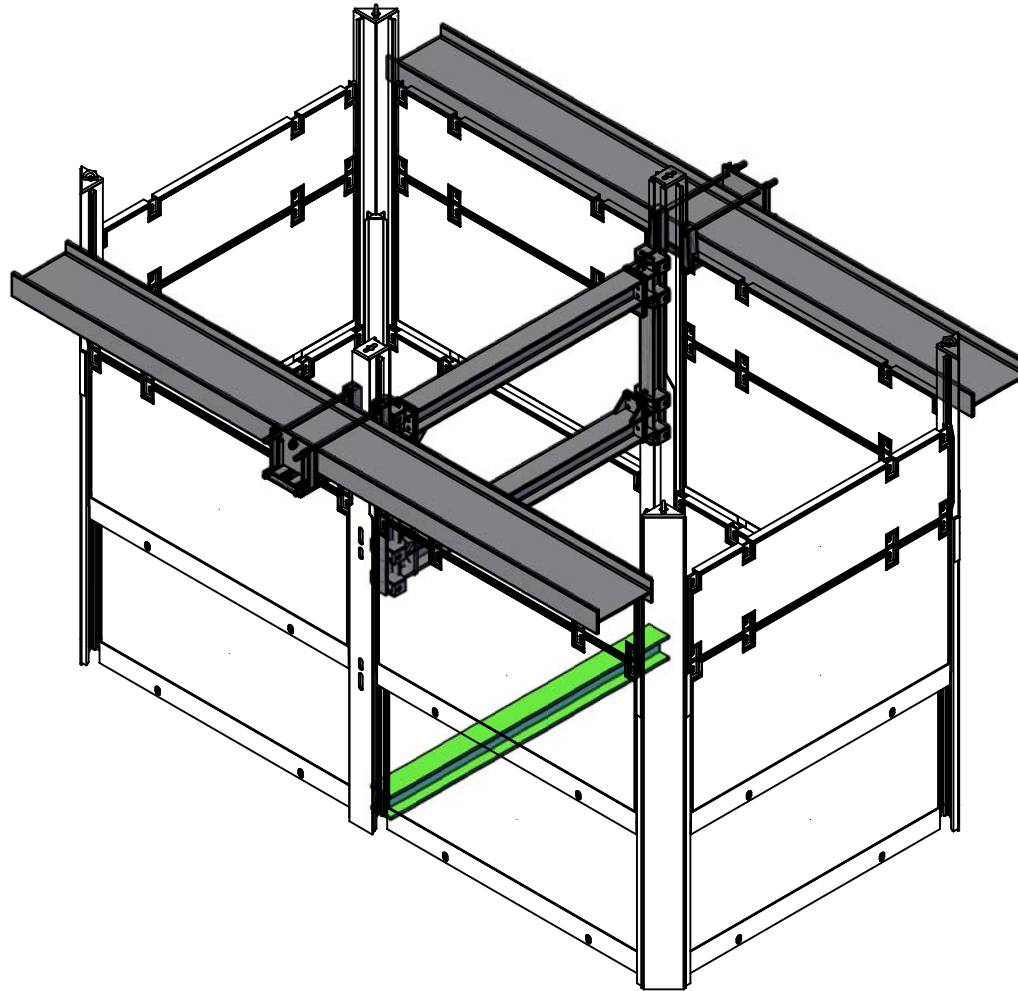


Install Waler Beam with Tie Backs.

Subject To Engineering Approval.

All Information Included Or Referenced Herein Shall Be Treated As Confidential To Pro-Tec Equipment © 2012


	<b>PRO-TEC Equipment</b>	
	4837 W. Grand River Ave. Lansing, MI 48906 (517) 827-3250 1-800-292-1225	
	Customer: ~	Page 2 Of 4
	Dwg. # Q2018-138-Clear Span Install Process	Double Slide Rail Bore Pit
Date: 01-June-2018	By: FM	

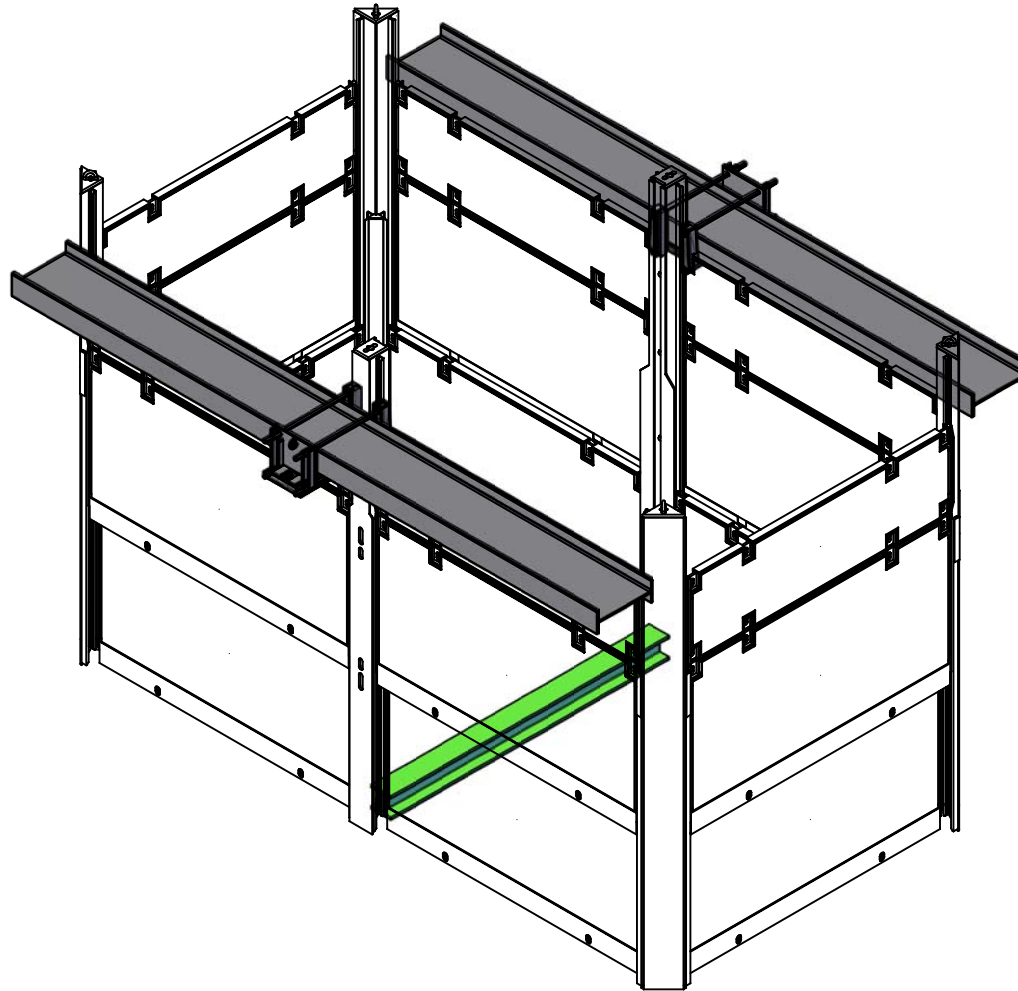


Install Sac Strut While Getting Ready To Remove Spreader Roller Frame.

Subject To Engineering Approval.

All Information Included Or Referenced Herein Shall Be Treated As Confidential To Pro-Tec Equipment © 2012


	<b>PRO-TEC Equipment</b> 4837 W. Grand River Ave. Lansing, MI 48906 (517) 827-3250 1-800-292-1225		
	Customer: ~	Page 3 Of 4	<i>Double Slide Rail Bore Pit</i>
	Dwg. # Q2018-138-Clear Span Install Process		
	Date: 01-June-2018	By: FM	



Remove Roller Frame and Leave Sac Strut For Spreader Post Support.

Subject To Engineering Approval.

All Information Included Or Referenced Herein Shall Be Treated As Confidential To Pro-Tec Equipment © 2012

	<b>PRO-TEC Equipment</b>		
	4837 W. Grand River Ave. Lansing, MI 48906 (517) 827-3250 1-800-292-1225		
	Customer: ~	Page 4 Of 4	
	Dwg. # Q2018-138-Clear Span Install Process	Double Slide Rail Bore Pit	
Date: 01-June-2018	By: FM		